



Traffic Management Products
Unit 6 Britannia Park, Trident Drive,
Wednesbury, West Mids. WS10 7XB

0208 744 8201

www.trafficmanagementproducts.co.uk

Tubular Marker

Installation Guide



IMPORTANT : This product is to be installed and maintained by qualified personnel only.
TMP Solutions take no responsibility for damage or injury incurred during the installation or maintenance.

These instructions must remain with the product to ensure correct installation.

Bolt-Down Installation



Tools Required

- Hammer Drill with 14mm Brill Bit
- Hammer
- 19mm Socket & Wrench
- 1/4" Allen Key



Installation

- 1 Identify the site and ensure it is free from buried services. The TMP range of Tubular Markers are designed to rebound on impact. **(NB** If placed in close proximity to posts this could affect the performance of the product.)
- 2 Place the Tubular Marker base on the surface in the desired location.
- 3 Mark anchor holes.
- 4 Drill into the surface to a minimum depth of 80mm and ensure all debris is removed from the installation site.
- 5 Tap in the rawl plug and replace the Tubular Marker, ensuring the holes line up.
- 6 Place washer on to M12 screw and insert through the base and tighten.
- 7 To finish install the caps over the screw heads.



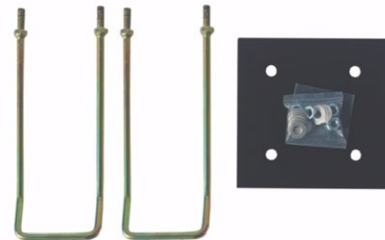
IMPORTANT : It is the responsibility of the installer to ensure the fixings are suitable for the surface, and that the surface is sound/stable enough to securely anchor the marker post in the event of an impact.

Cast-in Cage Installation



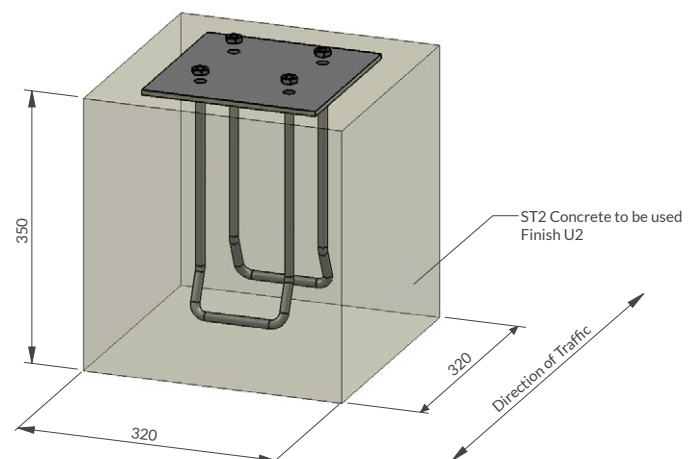
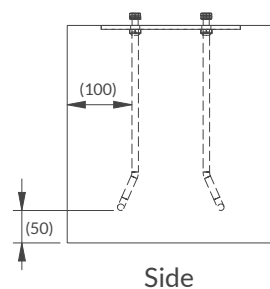
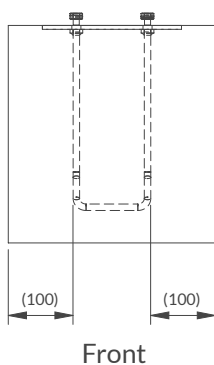
Tools Required

- 17mm Socket & Wrench
- Excavation Equipment
- Spirit Level
- Concrete Mix



Installation

- 1 Identify the site and ensure it is free from buried services. The TMP range of marker posts are designed to rebound on impact. **(NB** If placed in close proximity to posts this could affect the performance of the product.)
- 2 Prepare a hole approximately 350mm x 350mm x 300mm deep and fill with prepared concrete mix.
- 3 Assemble the Cast-In Cage by placing the plate over the threads and securing with nuts and washers.
- 4 Insert into concrete, ensuring the plate is flush with the surface and level using a spirit level.
- 5 Allow the concrete to set.
- 6 Remove nuts and washers and place bollard over protruding threads, ensuring the signface is facing the correct direction.
- 7 Replace washers and nuts then tighten.





Declaration of Performance

14

0038/CPD/LRQ 4008088/C/1
Lloyd's Register Quality Assurance Limited
71 Fenchurch Street, London EC3M 4BS

BS EN 12899-3:2007

D3 Hazard Marker

Delineator posts complete with fixed retroreflectors for the information guidance, warning and direction of road users.

Resistance to Horizontal Loads

Static requirement (wind loading) – pass (WL2)

Performance under vehicle impact

Dynamic impact resistance (material requirement) – pass (D3)

Dynamic impact resistance (functional requirement) – pass (D3)

Dynamic impact resistance (passive safety) – pass

Impact resistance (reflectors)

Dynamic impact resistance – pass (DH2)

Visual performance (posts)

Daytime chromaticity coordinates and luminance factor – pass

Visual performance (reflectors)

Daytime chromaticity coordinates and luminance factor – pass

Night-time chromaticity coordinates and luminance factor – pass

Coefficient of retroreflection R_A – pass

Durability

Resistance to corrosion – NPD

Water resistance - pass

Resistance to UV radiation (natural weathering test) – NPD

Dangerous substances

Pass

Dan Robinson
Name (Print)

Signed

Managing Director
Position

08/11/2018
Date

Registered Office: Unit 4, Nightingale Road, Horsham, West Sussex RH12 2NW
Registered in England No. 3207588

