



Traffic Management Products
Unit 6 Britannia Park, Trident Drive,
Wednesbury, West Mids. WS10 7XB



0121 227 8639



www.trafficmanagementproducts.co.uk

Essex Embellishment Kit

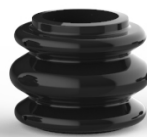
For 76mm / 140mm diameter columns



Base



Collar



Ring



Ladder Bar



IMPORTANT : This product is to be installed and maintained by qualified personnel only.
TMP Solutions take no responsibility for damage or injury incurred during the installation or maintenance.

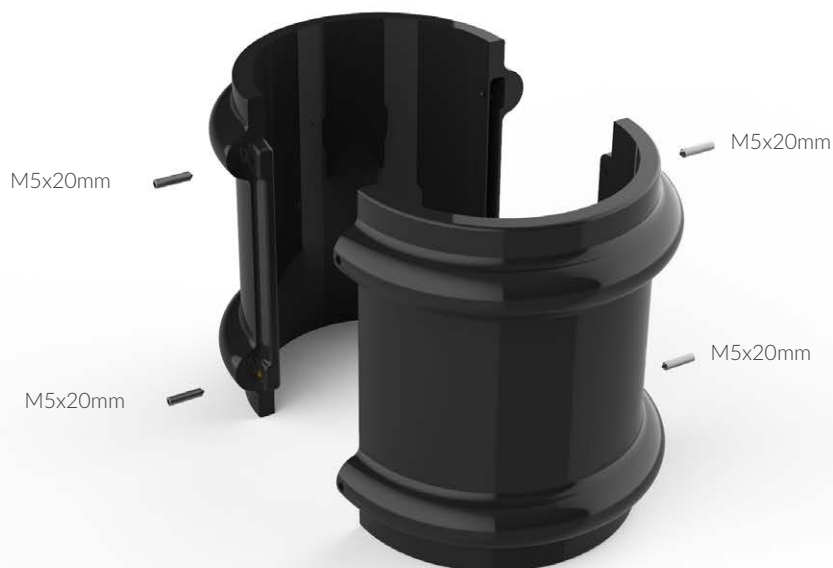
These instructions must remain with the product to ensure correct installation.

Base Section



Tools Required

- Size 4 Hex Key



Installation

- 1 Place the interlocking **Base** sections at the appropriate height around the base of the column.
 - 2 Use the 4 qty M5x20mm cone point grub screws to secure the **Base** to the column.
- ⚠ Tighten by hand using a size 4 hex key. Do not over tighten. Do not use power tools.

Collar Section



Tools Required

- Size 4 Hex Key



Installation

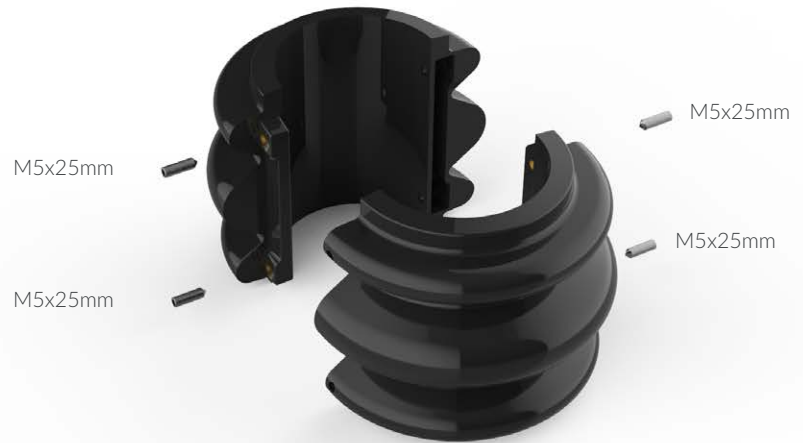
- 1 Place the interlocking **Collar** sections over the neck/swage of the column.
 - 2 Use the 2 qty M5x16mm cone point grub screws to secure the top of the **Collar** to the column.
 - 3 Use the 2 qty M5x20mm cone point grub screws to secure the bottom of the **Collar** to the column.
- ⚠ Tighten by hand using a size 4 hex key. Do not over tighten. Do not use power tools.

Ring Section



Tools Required

- Size 4 Hex Key



Installation

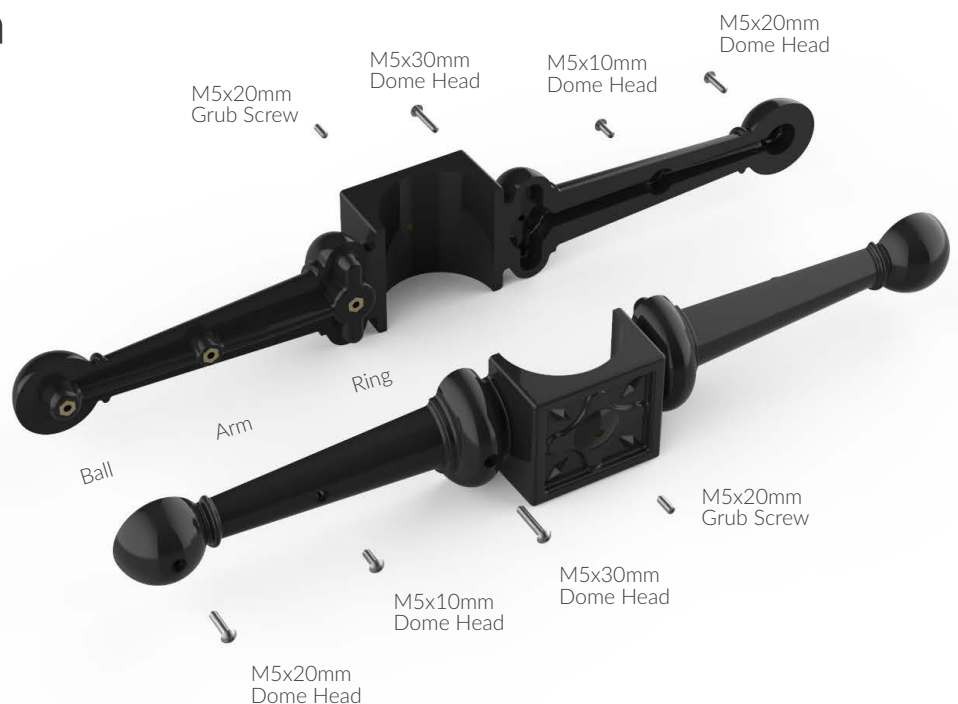
- 1 Place the interlocking **Ring** sections at the appropriate height around the shaft of the column.
 - 2 Use the 4 qty M5x25mm cone point grub screws to secure the **Ring** to the column.
- ⚠ Tighten by hand using a size 4 hex key. Do not over tighten. Do not use power tools.

Ladder Bar Section



Tools Required

- Size 4 Hex Key



Installation

- 1 Place the interlocking **Ladder Bar** sections at the appropriate height around the shaft of the column.
 - 2 Use the 2 qty M5x20mm socket dome head screws to join the balls of the **Ladder Bar** sections together.
 - 3 Use the 2 qty M5x10mm socket dome head screws to join the arms of the **Ladder Bar** sections together.
 - 4 Use the 2 qty M5x30mm socket dome head screws to join the rings of the **Ladder Bar** sections together.
 - 5 Use the 2 qty M5x20mm cone point grub screws to secure the **Ladder Bar** the shaft of the column and prevent rotation.
- ⚠ Tighten by hand using a size 4 hex key. Do not over tighten. Do not use power tools.



Need help? ☎ 0121 227 8639

We operate a policy of continuous product development and reserve the right to change or improve specification without prior notice. E & OE.
© 2024 Traffic Management Products Limited All Rights Reserved. Traffic Management Products Limited, company number 3207588,
with our registered offices at Traffic Management Products Limited, Unit 6, Britannia Park, Trident Drive, Wednesbury. WS10 7XB



Version 27/11/2024