



Traffic Management Products
Unit 6 Britannia Park, Trident Drive,
Wednesbury, West Mids. WS10 7XB

0208 744 8201

www.trafficmanagementproducts.co.uk

Essex Embellishment Kit

For 76mm / 140mm Dia. Column



Solving the industry's biggest safety issue - Designed for non-destructive column testing

Unlike traditional cast-iron or aluminium, our new non-metallic lighting column embellishment kits do not need to be removed when testing the structural integrity of the column. This makes the process safer, quicker and cheaper!

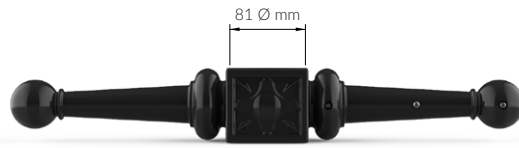
- Eliminates galvanic corrosion
- Lightweight and easy to install
- No need to remove for testing
- Non-metallic construction
- Durable and secure
- Available painted any RAL colour
- Zero maintenance

Versatile installation

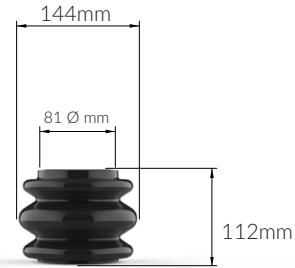
Our revolutionary lighting column embellishment kits allow safer and more efficient styling of stock columns. Installation takes seconds and is designed not to damage the existing galvanised or painted finish of the column.



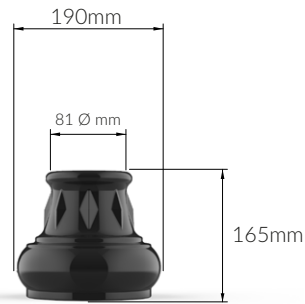
Specifications



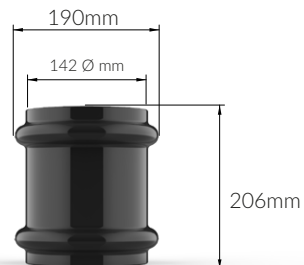
Ladder bar



Ring



Collar



Base

Available as a complete 4 piece kit or individually.

Designed to be installed on galvanised and/or painted columns with a 140mm diameter base and a 76mm diameter shaft.

Patent Pending.

We operate a policy of continuous product development and reserve the right to change or improve specification without prior notice. E & OE.
© 2024 Traffic Management Products Limited All Rights Reserved. Traffic Management Products Limited, company number 3207588,
with our registered offices at Traffic Management Products Limited, Unit 6, Britannia Park, Trident Drive, Wednesbury. WS10 7XB

