



Traffic Management Products
Unit 6 Britannia Park, Trident Drive,
Wednesbury, West Mids. WS10 7XB

0208 744 8201
www.trafficmanagementproducts.co.uk

RSRB Bollard

Installation Guide



Metro



Evo-N



Evo-MAX



Evo-N-RS
(Retention Socket)



Evo-S
(Solar LED)

Installation options

For all new standard installations we recommend using our Cast-in Cage, and for high-risk areas, we recommend our Retention Socket. Both solutions give enhance protection in the event of an impact, but using our retention socket will make removing and replacing the bollard in the future easier.

The Evo-N-RS is compatible with both the TMP or 50x50 Retention Socket right out of the box, plus we also make an adapter plate that allows the rest of our traffic bollard range to be retention socket compatible too



IMPORTANT : This product is to be installed and maintained by qualified personnel only. TMP Solutions take no responsibility for damage or injury incurred during the installation or maintenance.

These instructions must remain with the product to ensure correct installation.

Cast-in Cage Installation



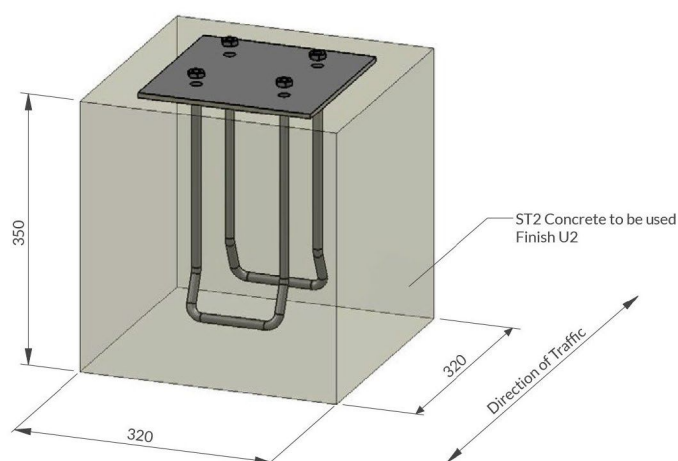
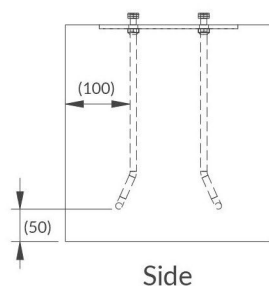
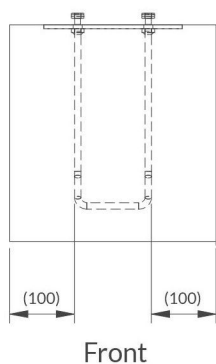
Tools Required

- 17mm Socket & Ratchet
- Excavation Equipment
- Spirit Level
- Concrete Mix



How to install the the cage

- 1 Identify the site and ensure it is free from buried services. The TMP range of traffic bollards are designed to rebound on impact. (NB If placed in close proximity to posts this could affect the performance of the product.)
- 2 Prepare a hole approximately 320mm x 320mm x 350mm deep and fill with prepared concrete mix.
- 3 Assemble the Cast-In Cage by placing the plate over the threads and securing with nuts and washers.
- 4 Insert into concrete, ensuring the plate is flush with the surface and level using a spirit level.
- 5 Allow the concrete to set.
- 6 Remove nuts and washers and place bollard over protruding threads, ensuring the signface is facing the correct direction.
- 7 Replace washers and nuts then tighten.

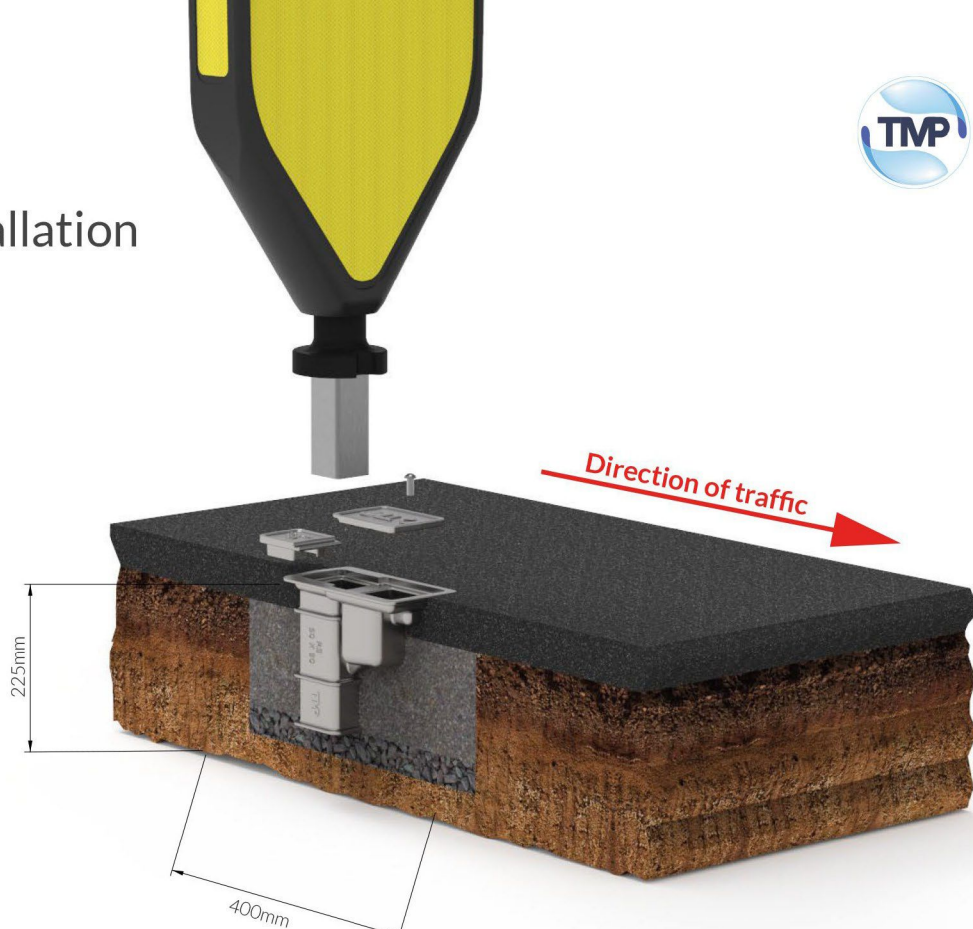


Retention Socket Installation



Tools Required

- 19mm Spanner
- Size 6 Hex Key
- Excavation Equipment
- Spirit Level
- Concrete Mix
- Type 1 Sub Base



Note: If the existing ground is loose or uncompacted, use a wider/deeper base of concrete.

How to install the retention socket

- 1 Excavate the site to a minimum of 300mm x 400mm wide by 225mm deep. (allowing for 50mm of type 1 compacted sub base to help drainage and alignment)
- 2 Place the retention socket centrally in the excavation. Surround with the required amount of ST4 grade concrete. When pouring remember to leave enough space for the finished ground covering.
- 3 The retention socket needs to be set vertical, this can be checked by removing the cover plates and inserting the bollard, or levelling post, into the 50mm x 50mm cavity. Secure by tightening the bolt using a 19mm spanner and check vertical with a spirit level.
- 4 Compact the concrete and re-check the retention socket is vertical using the spirit level.
- 5 Once the concrete has begun to cure, carefully remove the bollard, or levelling post, and replace both cover plates using a size 6 hex key.
- 6 Top off the concrete foundation with your chosen final ground covering ensuring the top of the retention socket is flush.

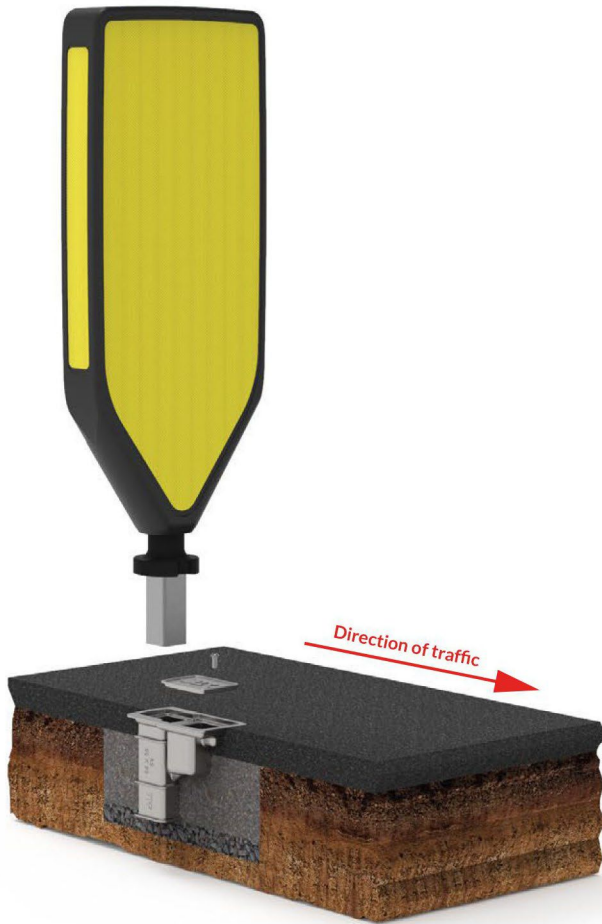
How to install the optional adaptor plate

- 1 Place the bollard over the M10 threaded studs ensuring the post of the adaptor plate is at the back of the bollard.
- 2 Secure the plate with the M10 nuts and washers using a 17mm socket and ratchet.



Tools Required

- 17mm Socket & Ratchet



How to secure the bollard

- 1 Remove both cover plates from the retention socket using the size 6 hex key.
- 2 You will now see an access chamber housing the head of an M12 bolt, and a 50x50mm socket.
- 3 Loosen the M12 bolt using a 19mm spanner so that the 50x50 socket is clear of obstruction.
- 4 Insert the bollard post into the socket until it is fully home.
- 5 Tighten the M12 bolt using a 19mm spanner so that the bollard is secure.
- 6 Replace the larger cover plate and secure using size 6 hex key.
- 7 Keep the smaller cover plate safe as this is used as a blanking plug if the bollard is removed in the future.



Bolt-Down Installation



Tools Required

- Hammer Drill with 14mm Drill Bit
- Hammer
- 19mm Socket & Ratchet



Installation

- 1 Identify the site and ensure it is free from buried services. The TMP range of traffic bollards are designed to rebound on impact. (NB If placed in close proximity to posts this could affect the performance of the product.)
- 2 Place the TMP bollard base on the surface in the desired location.
- 3 Mark anchor holes.
- 4 Drill into the surface to a minimum depth of 80mm and ensure all debris is removed from the installation site.
- 5 Tap in the rawl plug and replace the TMP bollard, ensuring the holes line up.
- 6 Place washer on to M12 screw and insert through the bollard base and tighten.
- 7 To finish install the caps over the screw heads.



IMPORTANT : It is the responsibility of the installer to ensure the fixings are suitable for the surface, and that the surface is sound/stable enough to securely anchor the bollard in the event of an impact.

Commissioning the Evo-S



Tools Required

- Security Torx Screwdriver TX30



Activation

- 1 With the roundel facing towards you, remove the left hand door.
- 2 Using the TX30 security torx screwdriver remove screws and door panel.
- 3 Locate grey switch at the left hand side of the battery and switch upwards into the "on" position.
- 4 Replace the door and tighten the screws.



Maintenance

Battery and solar panel replacements may become necessary to maintain the Evo-S bollard. Should the product fail to illuminate contact us on 0208 744 8201 or email info@tmp.solutions and we'll help you purchase replacement parts.

Need help? ☎ 0208 744 8201